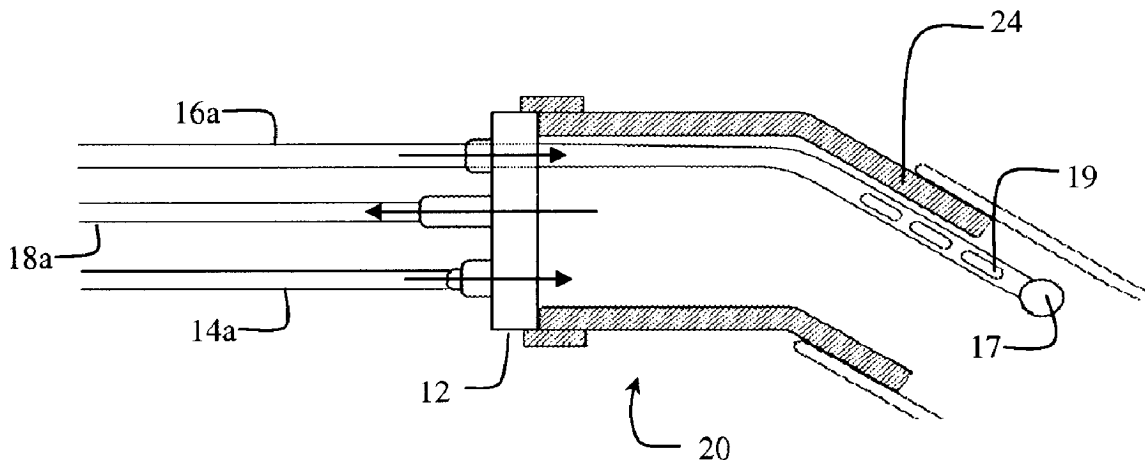




(22) Date de dépôt/Filing Date: 2011/08/01
 (41) Mise à la disp. pub./Open to Public Insp.: 2012/02/02
 (45) Date de délivrance/Issue Date: 2016/07/19
 (62) Demande originale/Original Application: 2 807 112
 (30) Priorité/Priority: 2010/07/30 (US61/369,439)

(51) Cl.Int./Int.Cl. *F16L 55/162* (2006.01)
 (72) Inventeurs/Inventors:
 D'HULSTER, GERALD, US;
 GOULD, JAMES, US
 (73) Propriétaire/Owner:
 PERMA-LINER INDUSTRIES, LLC, US
 (74) Agent: OYEN WIGGS GREEN & MUTALA LLP

(54) Titre : APPAREIL ET PROCEDE DE DURCISSEMENT THERMIQUE DE GAINES DE TUYAUX
 (54) Title : APPARATUS AND METHOD FOR HEAT CURING OF PIPE LINERS



(57) **Abrégé/Abstract:**

An apparatus and method that accelerates curing of resin in a liner for a buried pipe includes an air inversion unit connected to an air compressor. The apparatus includes a curing cap having an inflation port, a curing port and a drainage port. A flexible tube is slidably received by the curing port while maintaining a substantially fluid-tight seal. The flexible tube has a first end in fluid communication with the outlet of the manifold and the second end has a substantially spherical guide thereon. The second end of the flexible tube also includes a plurality of perforations to allow fluids to pass there through.