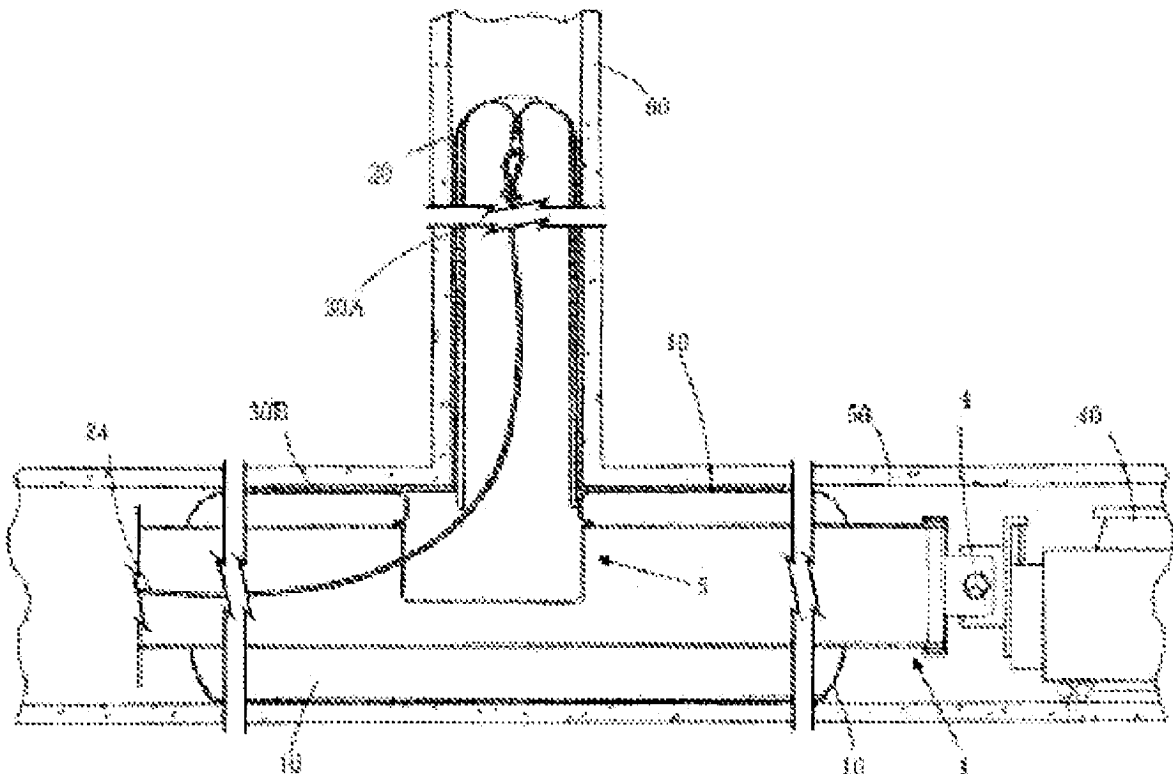




(22) **Date de dépôt/Filing Date:** 2011/08/01
 (41) **Mise à la disp. pub./Open to Public Insp.:** 2012/02/02
 (62) **Demande originale/Original Application:** 2 808 442
 (30) **Priorité/Priority:** 2010/07/30 (US61/369,457)

(51) **Cl.Int./Int.Cl. F16L 55/18** (2006.01),
F16L 55/163 (2006.01), **F16L 58/10** (2006.01),
F16L 58/18 (2006.01)
 (71) **Demandeur/Applicant:**
 PERMA-LINER INDUSTRIES, INC., US
 (72) **Inventeurs/Inventors:**
 D'HULSTER, GERALD, US;
 GOULD, JAMES, US
 (74) **Agent:** OYEN WIGGS GREEN & MUTALA LLP

(54) **Titre : METHODE ET DISPOSITIF DE REPARATION DE CONDUITE**
 (54) **Title: METHOD AND DEVICE FOR REPAIRING PIPING**



(57) **Abrégé/Abstract:**

A device and method for repairing the junction of a main pipe line and a lateral pipe. The device uses a series of independently controlled bladders to adjust the timing and pressure exerted by the bladders on the pipes. The device also uses a liner assembly of resin absorbent material is formed, with a tubular lateral liner connected to a concentric circular main liner. The liner also includes an opening to facilitate loading of the liner in the device. Upon loading the bladders and resin-embedded liner into a train, the device is positioned and the bladders independently inflated, either concurrently or in sequence, installing the liner assembly onto the pipe. Once the resin is cured, the bladder assembly and launcher are removed from the sewer pipe.